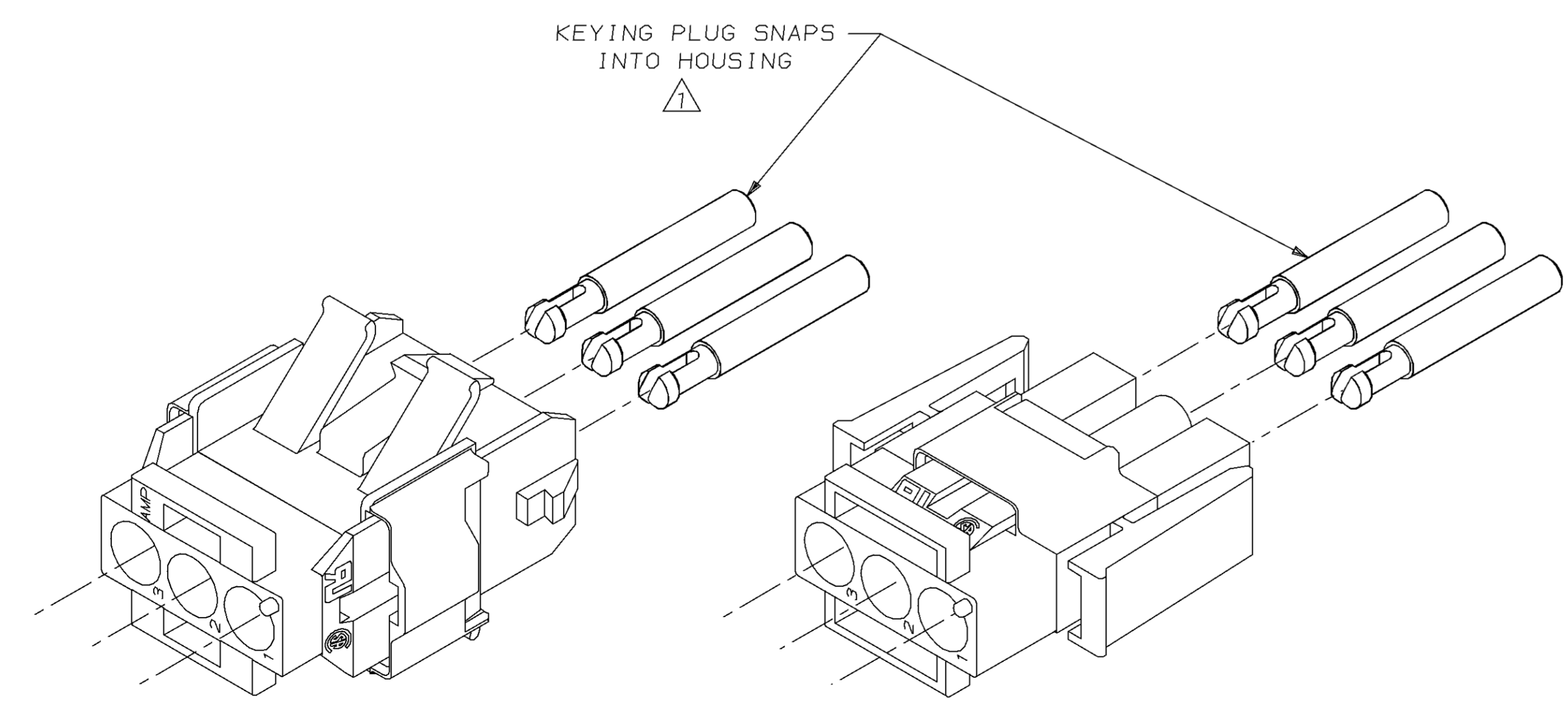
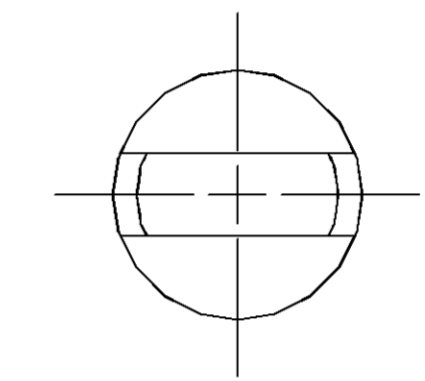
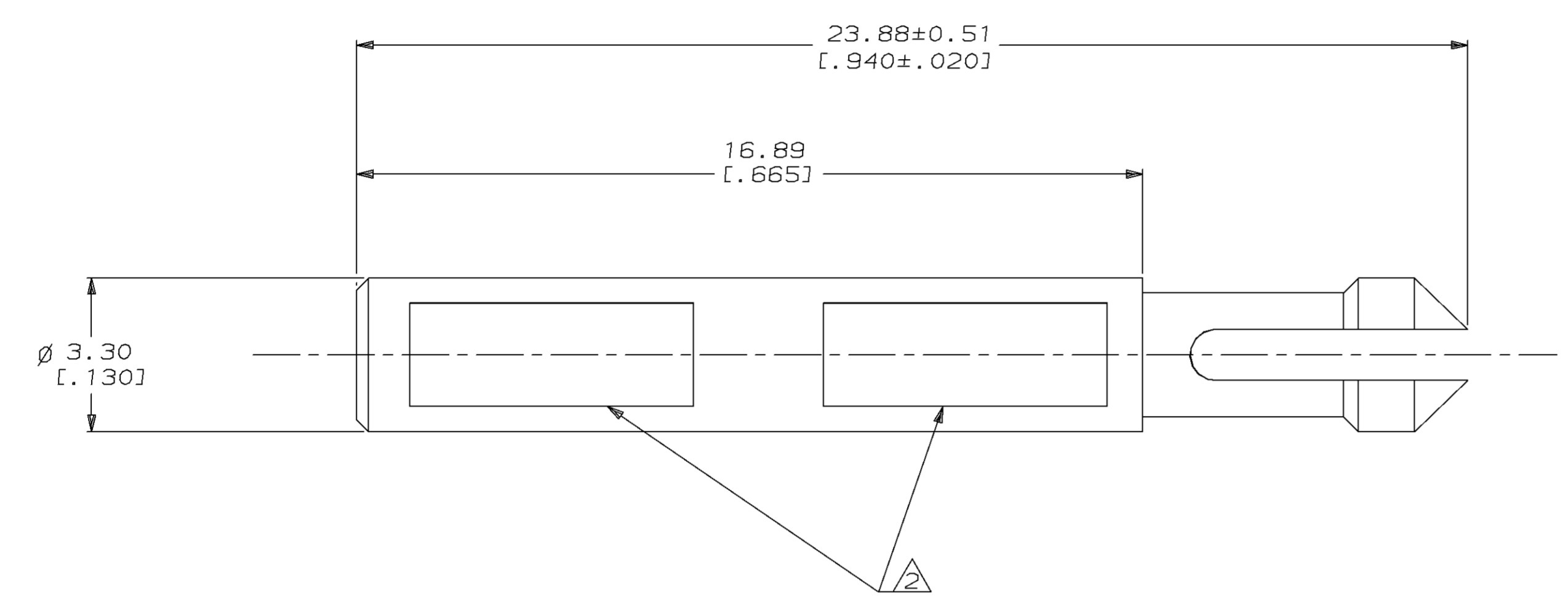


LOC		DIST		P		F		ZONE		LTR		REVISIONS			
CM	53											DESCRIPTION	DATE	APPD	
												C	REV PER EC 0730-0257-94	3-17-95	KS

- △ TO BE USED WITH UNIVERSAL MATE-N-LOK™ II PLUGS AND CAPS.
- △ AMP LOGO EITHER LOCATION.
- 3. DIMENSIONS IN BRACKETS ARE IN INCHES.



APPLICATION DETAIL  
SCALE 2:1

770377-1  
PART NUMBER

DO NOT SCALE PRINT. UNLESS SPECIFIED DIMENSIONS IN INCHES TOLERANCES ON:		DR 6-18-92 K. SALMON		PART NO	
1 .005		CHK 6-18-92 R. SWING		AMP INCORPORATED Harrisburg, Pa. 17105	
2 .002		APPD 6-24-92 M. TRULL		NAME	
3 .001		APPD 6-24-92 M. TRULL		KEYING PLUG, UNIVERSAL MATE-N-LOK™ II	
ANGLES ±		MATERIAL NYLON, UL94V-0		DRAWING NO	
		FINISH		770377	
		APPLICATION SPEC		SCALE 10:1	
		WEIGHT		SHEET 1 OF 1	

